

A150X

Amp-Trap® Form 101

HIGH SPEED FUSES



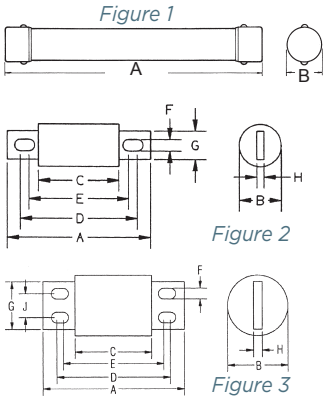
A150X Amp-Trap® Form 101 high speed fuses, rated up to 1000A, 1500VAC/DC are suitable for traction drive and auxiliary circuits and for high voltage heavy duty rectifier applications. A150X fuses are suitable for use up to 1500VDC on circuits depending on time constant.

CATALOG NUMBERS (AMPS)

Dimensions Figure 1			
A150X1-1	A150X15-1	A150X20-1	A150X30-1
Dimensions Figure 2: DC UL Recognition			
A150X10-4	A150X40-4	A150X90-4	A150X250-4
A150X15-4	A150X45-4	A150X100-4	A150X300-4
A150X20-4	A150X50-4	A150X125-4	A150X400-4
A150X25-4	A150X60-4	A150X150-4	A150X450-4
A150X30-4	A150X70-4	A150X175-4	A150X500-4
A150X35-4	A150X80-4	A150X200-4	A150X600-4
Dimensions Figure 3			
A150X800-4	A150X1000-4		

DIMENSIONS

Outline Ref.	Mounting Type	Fig.	Dimensions - Inches (mm)									
			A	B	C	D	E	F	G	H	J	
A150X1 to 30	1	1	6.13 [155]	.82 [20]								
A150X10 to 60	4	2	7.15 [182]	1.21 [31]	5.65 [143]	6.46 [164]	6.34 [161]	0.31 [8]	1.00 [25]	0.18 [5]	-	-
A150X70 to 100	4	2	7.87 [200]	1.50 [38]	5.62 [143]	6.93 [176]	6.31 [160]	0.40 [10]	1.00 [25]	0.25 [6]	-	-
A150X125 to 300	4	2	7.87 [200]	2.00 [51]	5.62 [143]	6.93 [176]	6.31 [160]	0.40 [10]	1.50 [38]	0.25 [6]	-	-
A150X400 to 600	4	2	9.75 [248]	2.50 [64]	6.62 [168]	8.31 [211]	8.06 [205]	0.56 [14]	2.00 [51]	0.25 [6]	-	-
A150X800 to 1000	4	3	9.88 [251]	3.38 [86]	6.12 [155]	8.03 [204]	7.72 [196]	0.56 [14]	2.75 [70]	0.37 [9]	1.38 [35]	



RATINGS:

- **Volts:** 1500VAC
- **Amps:** 1 to 1000A
- **L/R:** N/A
- **Volts:** 1500VDC
- **Amps:** 10 to 600A
- **L/R:** <2ms
- **Volts:** 1000VDC
- **Amps:** 1 to 1000A
- **L/R:** Consult Factory
- **I.R.:** 100kA AC, 100kA DC

FEATURES/BENEFITS:

- 1500VAC/DC rated for wide range of applications
- Heavy duty links
- Rugged fiberglass body

HIGHLIGHTS:

- Fast acting
- Current limiting
- Low I²t

APPLICATIONS:

- Protection of traction drive and auxiliary circuits, etc.
- Protection of heavy-duty rectifiers or heavy-duty higher voltage rectifiers
- Common DC bus protection up to 1500VDC

APPROVALS:



- DC UL Recognized Component UL File E60314
- DC UL Recognized 10A-600A@1500VDC L/R<2ms,100kA
- Mersen self certified 1000 VDC

Mersen products have been designed by Mersen for a range of specific applications to be operated depending on particular specification and conditions. Mersen makes no representation or warranty, either express or implied, for products' reliability and life time or technical performance in case Mersen has not been provided with customer's specifications or if the products are not purchased directly from Mersen or its distributors and/or agents.